

SANDRA BENHAMOU



NIGHT STAND

GENA

SANDRA BENHAMOU



Gena

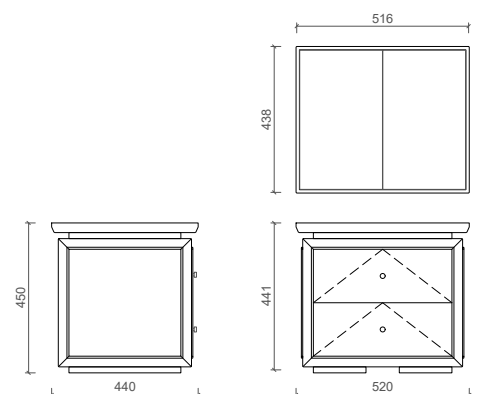
Materials

Iroko with pear wood baguettes
Ceramic tiles, handmade by Flavia Broï

Dimensions

L 520 x W 440 x H 450 cm

L 204.7 x W 173.2 x H 177.2 inches



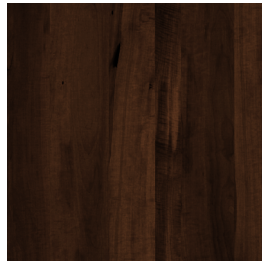
HANDCRAFTED IN FRANCE

SANDRA BENHAMOU



Wood

Iroko



Wood

Pear wood



Tiles

Hand made ceramic tiles
by Flavia Broi

Care instructions

Wood

Temperature and Humidity:

Maintain a stable indoor climate to prevent wood from expanding or contracting. Avoid placing furniture near heat sources, air vents, or direct sunlight.

Protection from Spills:

Wipe up spills immediately with a soft, damp cloth to prevent stains and water damage. Use coasters, placemats, and tablecloths to protect surfaces from scratches, heat, and moisture.

Ceramic

Cleaning Protocol:

Clean the surface exclusively with a soft microfiber cloth and pH-neutral soap, drying immediately to prevent limescale deposits.

Restrictions and Warnings:

Avoid abrasive tools and acidic or corrosive detergents to prevent permanent damage to the glaze.