

SANDRA BENHAMOU



DAYBED

ANNETTA

SANDRA BENHAMOU



Annetta

Indoor / outdoor

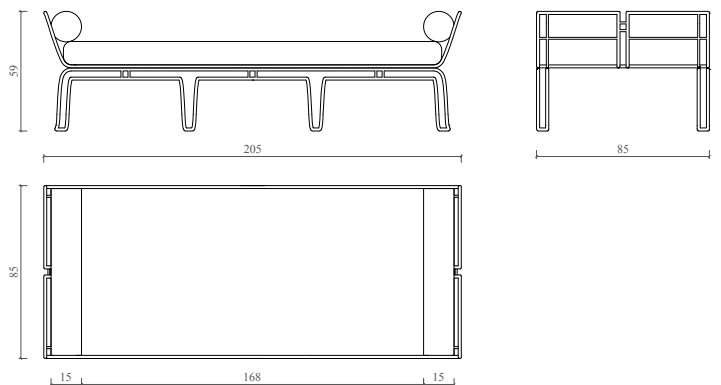
Materials

Fabric upholstery
Wrought iron

Dimensions

L 205 x W 85 x H 59 cm
seat height 45 cm

L 80.7 x W 33.5 x H 23.2 inches
seat height 17.7 inches



SANDRA BENHAMOU



Wrought iron

Black patina with satin finish

Care instructions

Metal

Prevent Tarnishing:

For metals like brass or copper, use a gentle metal cleaner to prevent tarnishing. Regular maintenance can help keep the finish bright and free from discoloration.

Avoid Corrosive Elements:

Keep metal surfaces away from moisture, salt, and acidic substances. Use coasters, placemats, and felt pads to prevent direct contact with the metal.

Fabric and Upholstery

Vacuum Regularly:

Use a vacuum with a soft brush attachment to gently remove dust and debris from fabric surfaces.

Spot Clean:

Blot spills immediately with a clean, dry cloth. For deeper stains, use a fabric cleaner designed for upholstery, following the manufacturer's instructions.