

**SANDRA BENHAMOU**



**NIGHT STAND**

**PIERO**

# SANDRA BENHAMOU



## Piero

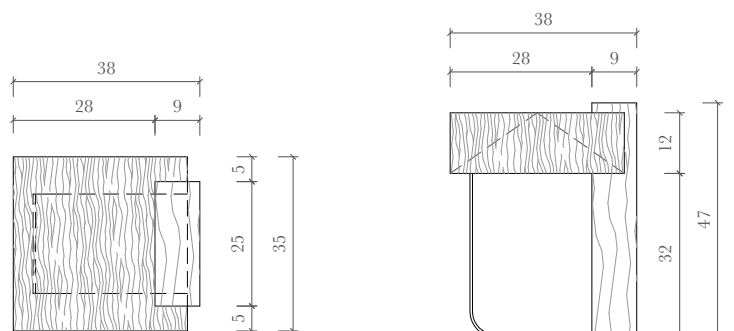
### Materials

Matte rosewood, high gloss teak,  
polished stainless steel

### Dimensions

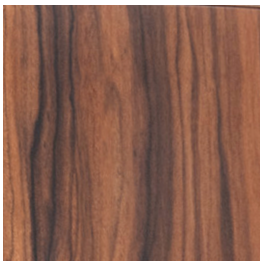
L 37,5 x W 35 x H 47 cm

L 14.8 x W 13.78 x H 18.5 inches

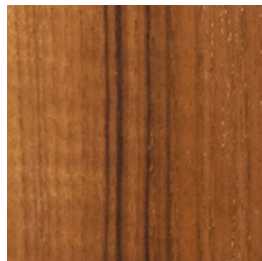


HANDCRAFTED IN FRANCE

# SANDRA BENHAMOU



**Wood**  
Rosewood



**Wood**  
Teak



**Stainless Steel**  
Mirror polished

## Care instructions

### Wood

**Temperature and Humidity:**

Maintain a stable indoor climate to prevent wood from expanding or contracting. Avoid placing furniture near heat sources, air vents, or direct sunlight.

**Protection from Spills:**

Wipe up spills immediately with a soft, damp cloth to prevent stains and water damage. Use coasters, placemats, and tablecloths to protect surfaces from scratches, heat, and moisture.

### Metal

**Prevent Tarnishing:**

For metals like brass or copper, use a gentle metal cleaner to prevent tarnishing. Regular maintenance can help keep the finish bright and free from discoloration.

**Avoid Corrosive Elements:**

Keep metal surfaces away from moisture, salt, and acidic substances. Use coasters, placemats, and felt pads to prevent direct contact with the metal.