

SANDRA BENHAMOU



SIDE TABLE

GIO

SANDRA BENHAMOU



Gio

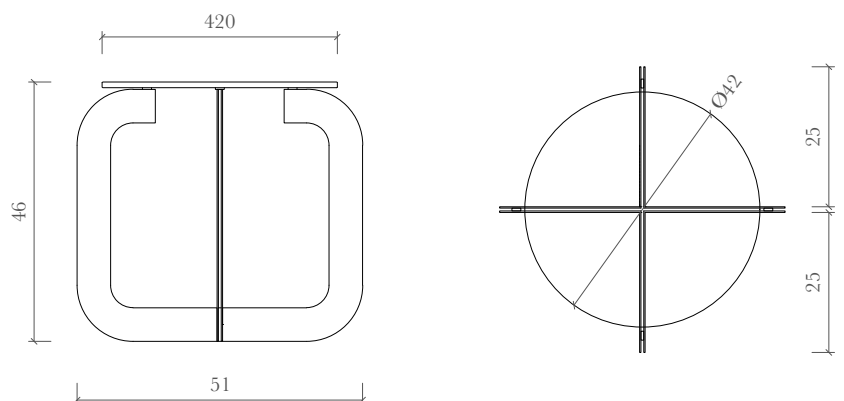
Materials

Frosted tinted glass
Polished stainless steel

Dimensions

Ø 42 x H 46 cm

Ø 16.5 x H 18.1 inches



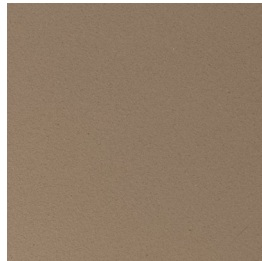
HANDCRAFTED IN FRANCE

SANDRA BENHAMOU



Stainless Steel

Mirror polished



Glass

Frosted brown

Care instructions

Metal

Prevent Tarnishing:

For metals like brass or copper, use a gentle metal cleaner to prevent tarnishing. Regular maintenance can help keep the finish bright and free from discoloration.

Avoid Corrosive Elements:

Keep metal surfaces away from moisture, salt, and acidic substances. Use coasters, placemats, and felt pads to prevent direct contact with the metal.

Glass and mirror

Clean with Care:

Use a glass cleaner or water to clean glass surfaces. Wipe with a soft, lint-free cloth in a circular motion to avoid streaks.

Protect from Scratches:

Use placemats, coasters, and felt pads under objects to prevent scratches and chipping.