

SANDRA BENHAMOU



Don

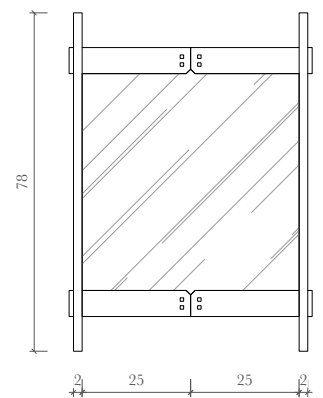
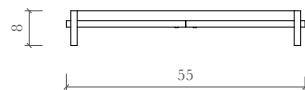
Materials

Silver mirror, solid elm

Dimensions

L 54 x W 78 x H 8 cm

L 21.2 x W 30.7 x H 3.1 inches



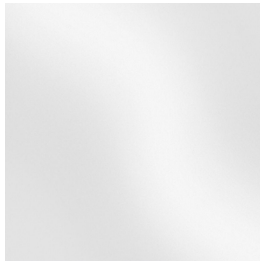
HANDCRAFTED IN FRANCE

SANDRA BENHAMOU



Wood

Elm



Mirror

Plane mirror

Care instructions

Wood

Temperature and Humidity:

Maintain a stable indoor climate to prevent wood from expanding or contracting. Avoid placing furniture near heat sources, air vents, or direct sunlight.

Protection from Spills:

Wipe up spills immediately with a soft, damp cloth to prevent stains and water damage. Use coasters, placemats, and tablecloths to protect surfaces from scratches, heat, and moisture.

Glass and mirror

Clean with Care:

Use a glass cleaner or water to clean glass surfaces. Wipe with a soft, lint-free cloth in a circular motion to avoid streaks.

Protect from Scratches:

Use placemats, coasters, and felt pads under objects to prevent scratches and chipping.